

OPERA 5



BFC srl
Via Martiri Delle Foibe, 15
31015 Scomigo di
Conegliano - TV - IT
T. +39 0438 394979
F. +39 0438 394587
M. info@bfcsrl.it
W. www.bfcsrl.it

I nostri canali social



BFCcoffemachinesofficial
@bfccoffeemachines_official

OPERA 5



Gruppi - Groups - Groupes	2
Peso Kg/lbs - Net weight - Poids net	45 / 99
Caldaia lt./Us Gal - Boiler - Chaudière	5/1,3
Watt	2500 - 2900
Volt	110/230/240
Portafiltri - Filter holders - Porte-filtres	2



Colori disponibili • Colours available

Light Blue

Caldaia in rame a circuito termosifonico

- Copper inner boiler continuous heat circulation
- Chaudière en cuivre, circulation par thermosiphon

1 Lance Vapore / 1 Lancia acqua miscelata

- 1 Steamspouts / 1 Hot/cool water pipe
- 1 Lance vapore / 1 Tube de l'eau melangée

Motopompa incorporata

- Motor pump inside
- Motopompe incorporée

Autolivello automatico

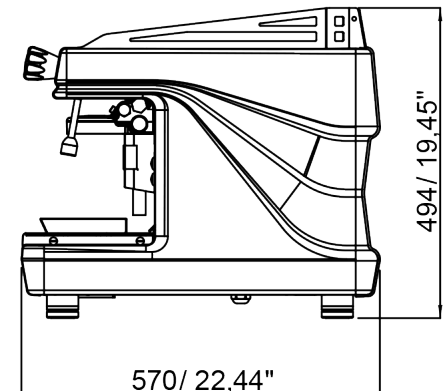
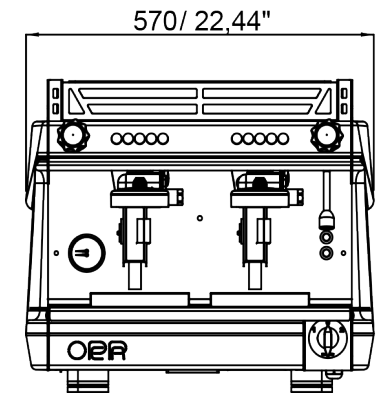
- Automatic boiler water level control
- Contrôle automatique du niveau de l'eau

Gruppi termocompensati

- Heat-balancing units
- Groupes thermocompensés

Optional : Kit capsula o kit cialda

- Optional: Kit capsule or kit pod
- Optionnel: Kit capsule ou kit pod



OPERA 5.11



BFC srl
Via Martiri Delle Foibe, 15
31015 Scomigo di
Conegliano - TV - IT
T. +39 0438 394979
F. +39 0438 394587
M. info@bfcsrl.it
W. www.bfcsrl.it

I nostri canali social



BFCcoffemachinesofficial
@bfccoffeemachines_official

OPERA 5.11



Gruppi - Groups - Groupes	2
Peso Kg/lbs - Net weight - Poids net	60 / 132
Caldaia lt./Us Gal - Boiler - Chaudière	11/2,91
Watt Volt	3500 - 4130 220/240
Portafiltri - Filter holders - Porte-filtres	2



Colori disponibili • Colours available

Standard	Optional	Optional
Light Blue	White	Black

Caldaia in rame a circuito termosifonico

- Copper inner boiler continuous heat circulation

2 Lance Vapore / 1 Lancia acqua

- 2 Steamspouts / 1 water pipe

Motopompa incorporata

- Motor pump inside

Autolivello automatico

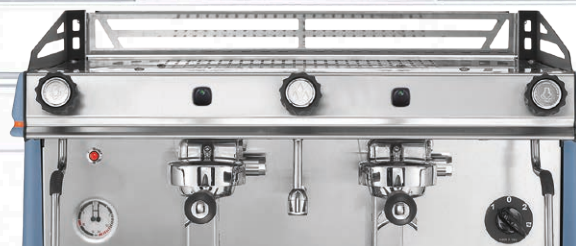
- Automatic boiler water level control

Gruppi termocompensati

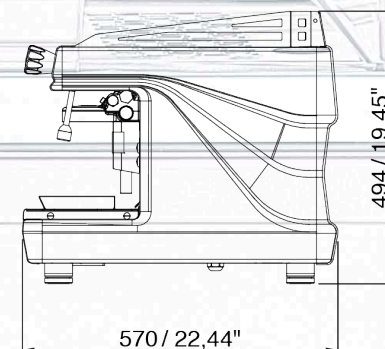
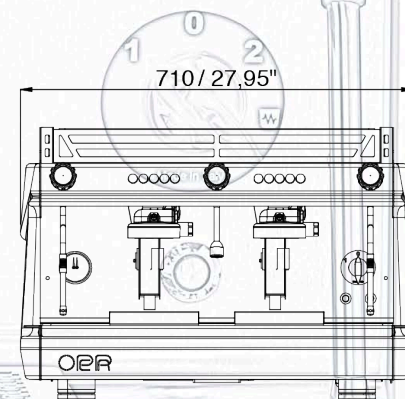
- Heat-balancing units



Versione Plus / Plus Model



Versione Semiautomatica / Switch Model



OPERA